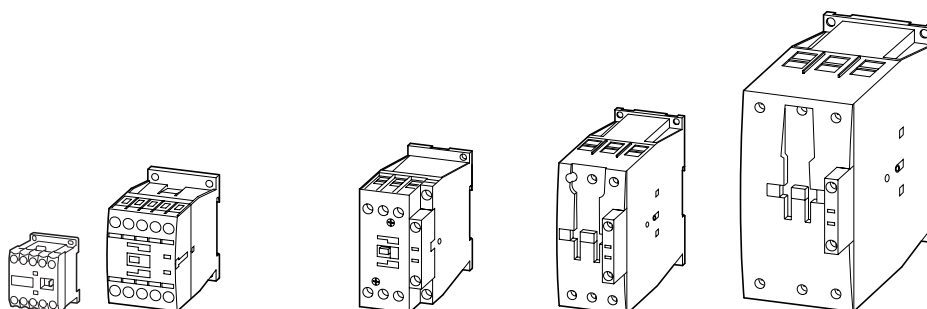


DILM contactors
3 pole

Contactors DILM, DILH



DIL		EM	M7	M9	M12	M15	M17	M25	M32	M40	M50	M65	M80	M95	M115	M150	M170
Basic device	Page	→ 5/3	→ 5/17				→ 5/17			→ 5/17			→ 5/17				
Complete devices	Page	–	→ 5/21			–	→ 5/21			→ 5/21			→ 5/21				
Rated-operational voltage		kW	kW	kW	kW	kW	kW	kW	kW	kW	kW	kW	kW	kW	kW	kW	kW

AC-3																	
Rated operational power for three-phase motors 50–60 Hz																	
220 V – 230 V	2,2	2,2	2,5	3,5	4	5	7,5	10	12,5	15,5	20	25	30	37	48	52	
380 V – 400 V	4	3	4	5,5	7,5	7,5	11	15	18,5	22	30	37	45	55	75	90	
440 V	4,6	4,5	5,5	7,5	8,4	10,5	15,5	20	25	32	41	51	60	75	95	105	
500 V	4	3,5	4,5	7	7,5	12	17,5	23	28	36	47	58	70	85	110	120	
660 V/690 V	4	3,5	4,5	6,5	7	11	14	17	23	30	35	63	75	90	96	140	
1000 V	–	–	–	–	–	–	–	–	–	–	–	–	1)	1)	1)	1)	1)

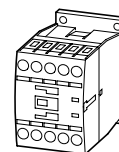
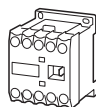
AC-4																	
Rated operational power for three-phase motors 50–60 Hz																	
⚠ Increase in life span for DILM7 – DILM150 to 200.000 operations																	
220 V – 230 V	1,5	1	1,5	2	2	2,5	3,5	4	5	6	7	12	16	17	20	20	
380 V – 400 V	3	2,2	2,5	3	3	4,5	6	7	9	10	12	20	26	28	33	33	
440 V	3,3	2,4	3	3,6	3,6	5,5	7	8	10	12	14	25	32	35	41	41	
500 V	3	2,5	2,8	3,5	3,5	6	8	9	11	13	16	29	36	40	47	47	
660 V/690 V	3	2,9	3,6	4,4	4,4	6,5	8,5	10	12	14	17	26	35	43	48	48	
1000 V	–	–	–	–	–	–	–	–	–	–	–	–	1)	1)	1)	1)	1)

AC-1																	
Rated operational power for resistive load, 40 °C																	
220 V – 230 V	8	8	8	8	8	15	17	17	22	30	37	42	49	61	72	85	
380 V – 400 V	13	14	14	14	14	26	29	29	39	53	65	72	85	105	125	150	
440 V	15	16	16	16	16	30	34	34	45	58	71	80	94	116	138	170	
500 V	18	19	19	19	19	34	38	38	51	66	81	90	107	132	156	194	
660 V/690 V	23	25	25	25	25	45	51	51	68	91	111	125	148	182	216	268	
1000 V	–	–	–	–	–	–	–	–	–	–	–	–	1)	1)	1)	1)	1)

Conventional thermal current																	
$I_{th} = I_e$ open at 40 °C																	
up to 690 V	22	22	22	22	22	40	45	45	60	80	98	110	130	160	190	225	
1000 V	–	–	–	–	–	–	–	–	–	–	–	–	1)	1)	1)	1)	1)

Notes 1) on request

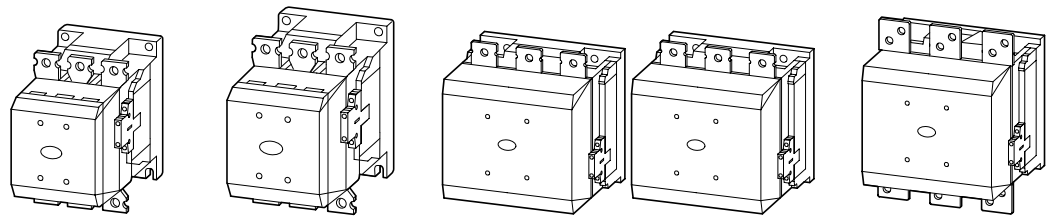
Contactor
4 pole



DIL		EM4	MP20
Rated operational voltage	Page	→ 5/3	→ 5/17

AC-1			
Conventional free air thermal current $I_{th} = I_e$ open, at 40 °C			
up to 690 V		A	A
		22	22

DILM contactors
3 pole



	DIL	M185	M225	M250	M300	M400	M500	M580	M650	M750	M820	M1000	M1600	H1400	H2000
Basic device	Page	-	-	-	-	-	-	-	-	-	-	-	-	-	-
Complete device	Page	→ 5/25			→ 5/25			→ 5/25		→ 5/25		→ 5/25			
Rated operational voltage		kW	kW	kW	kW	kW	kW	kW	kW	kW	kW	kW	kW	kW	kW

AC-3 Rated operational power for AC motors 50–60 Hz															
220 V – 230 V	55	70	75	90	125	155	185	205	240	260	315	500	-	-	-
380 V – 400 V	90	110	132	160	200	250	315	355	400	450	560	900	-	-	-
440 V	115	142	157	190	255	345	370	420	480	525	650	1000	-	-	-
500 V	132	160	180	215	290	360	420	470	550	600	730	1180	-	-	-
660 V – 690 V	175	215	240	286	344	344	560	630	720	750	1000	1600	-	-	-
1000 V	108	108	108	132	132	132	600	600	800	800	1000	1) ¹⁾	-	-	-

AC-4 Rated operational power for AC motors 50–60 Hz															
220 V – 230 V	41	51	62	75	92	112	143	161	181	209	260	430	-	-	-
380 V – 400 V	75	90	110	132	160	200	250	280	315	355	450	750	-	-	-
440 V	85	102	125	140	186	229	290	326	367	418	520	830	-	-	-
500 V	96	116	143	172	214	260	330	370	417	474	590	940	-	-	-
660 V – 690 V	127	155	189	229	283	344	440	494	556	633	780	1300	-	-	-
1000 V	108	108	108	132	132	132	509	509	678	678	1000	1) ¹⁾	-	-	-

AC-1 Rated operational power for resistive load, 40 °C															
220 V – 230 V	121	139	155	177	221	310	354	376	398	443	443	717	620	886	-
380 V – 400 V	210	241	268	306	382	535	612	650	689	766	766	1247	1071	1531	-
440 V	243	279	310	354	443	620	709	753	797	886	886	1371	1240	1773	-
500 V	277	317	352	403	503	705	806	856	906	1007	1007	1558	1410	2015	-
660 V – 690 V	365	419	465	532	664	930	1064	1130	1196	1330	1330	2151	1861	2660	-
1000 V	554	635	705	806	1007	1410	1612	1712	1813	2015	2015	2420	2417	3223	-

Conventional thermal current $I_{th} = I_e$ open at 40 °C															
at 690 V	337	386	429	490	612	857	980	1041	1102	1225	1225	2200	1714	2450	-
1000 V	337	386	429	490	612	857	980	1041	1102	1225	1225	1700	1469	1959	-

Notes ¹⁾ on request

