

Series H

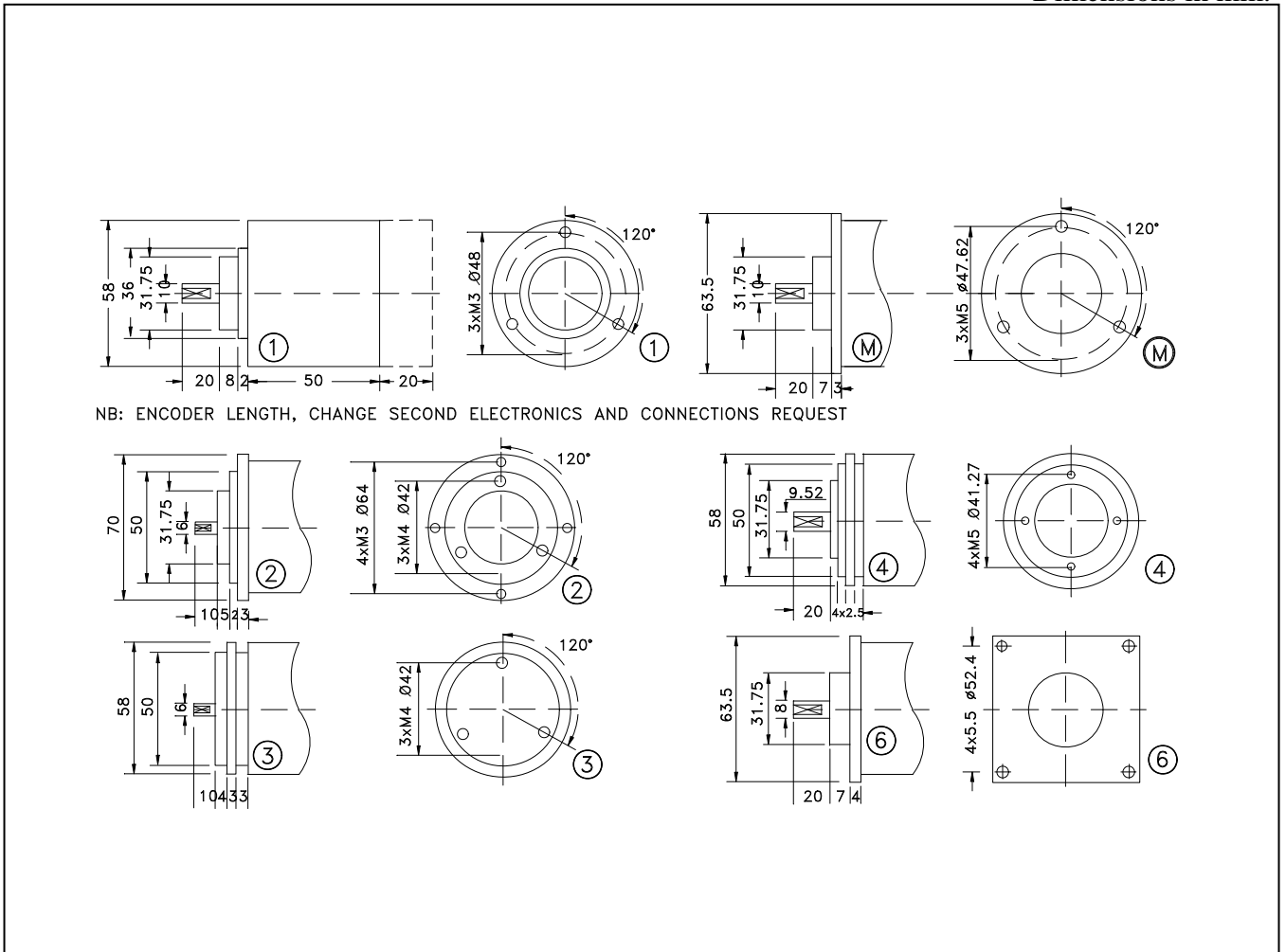
Incremental shaft encoder, high resolution



Mechanics Data

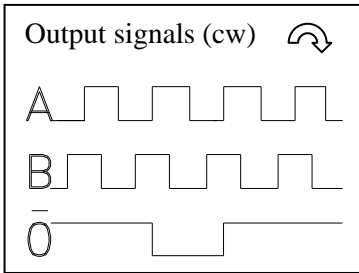
| | |
|----------------|---|
| Cover: | Lacquered aluminium |
| Body: | Aluminium |
| Solid shaft: | Stainless steel |
| Bearings: | 2, ballraces |
| Weight: | Approx.300gr. |
| Protection: | IP65 |
| Rpm: | 6000 Max |
| Torque: | 5Ncm |
| Inertia: | 100gcm ² |
| Shaft loading: | Axial 100N - Radial 100N (the value decrease when the number of pulses increase) |

Dimensions in mm.



Series H

Electronics Data



Power supply: from 5 to 24V depends on the electronics circuit
 Current consumption: 40/80mA depends on the electronics circuit
 Permissible load: 40mA
 Frequency: to 600KHz depends on the electronics circuit (100 KHz sinusoidal version)
 Protections: Against short circuit, reversal polarity
 Operating Temp.: -20/+60°C (-30/+100°C) on request
 0/+60° sinusoidal version

Ordering code

Series **H** - * * * * * / **Pulses** (Max 36.000)
 See page pulses

Shaft

3 = Ø6mm
 6 = Ø8mm
 4 = Ø9.52mm
 1 = Ø10mm
 On request
 2 = Ø12mm

Flange

1 =
 2 = see
 3 = previous
 4 = page
 6 =
 M =

Outputs

2 = AB PP11/28V
 3 = AB0 PP11/28V
 N = AB+AB PP11/28V
 P = AB0+AB0 PP11/28V
 B = AB OC11/28V
 C = AB0 OC11/28V
 G = AB NPN 11/28V
 H = AB0 NPN 11/28V
 5 = AB+AB LD5V
 6 = AB0+AB0 LD5V
 8 = AB+AB LD5/12V
 9 = AB0+AB0 LD5/12V
 S = AB+AB LD15/24V(out 12V)
 T = AB0+AB0 LD15/24V(out 12V)
 K = AB0+AB0 LD15/24 (out 5V)
 W = AB0+AB0 1Vpp
 Y = AB0+AB0 1Vpp (pulses)
 CD+CD 1Vpp (1 pulse)

Connections

2 = 9414 Radial
 0 = 9414 Axial
 3 = Cable Radial
 9 = Cable Axial
 4 = 9418 Radial
 6 = 9418 Axial
 5 = 9416 Radial
 E = 9416 Axial
 7 = 9419 Radial
 8 = 9419 Axial
 B = 9415 Radial
 A = 9415 Axial
 N = 9413 Axial

Options

0 = None
 1 = High zero pulse
 Z = Synchronised zero Pulse to 180° only for Line Driver
 W = Synchronised zero Pulse to 90° only for Line Driver
 A = Special connections
 Y = Power supply 5/12V for output NPN/OC/PP
 U = Power supply 5/30V outputs PP
 Sinusoidal ver.
 S = 5 Volt
 T = 8/24 Volt

Opzione U: outputs levels compatible TTL · Low level output <0.5V · High level output > +VCC-1,9V

Connections

| | 0 Volt | + Volt | A | B | A | B | 0 | 0 |
|---------------------------------|--------|--------|-------|--------|-------|--------|------|--------|
| Cable 5 Way | White | Brown | Green | Yellow | | | | Gray |
| Cable 8 Way | Black | Blue | Brown | Beige | Green | Yellow | Pink | Violet |
| Connector 9414 | Pin1 | Pin2 | Pin3 | Pin4 | | | | Pin5 |
| Connector 9416-9415-9413 | Pin1 | Pin2 | Pin3 | Pin4 | Pin5 | Pin6 | Pin7 | Pin8 |
| Connector 9418 | PinA | PinB | PinC | PinD | PinE | PinF | | PinG |
| Connector 9419 | PinA | PinB | PinC | PinD | PinE | PinF | PinG | PinH |