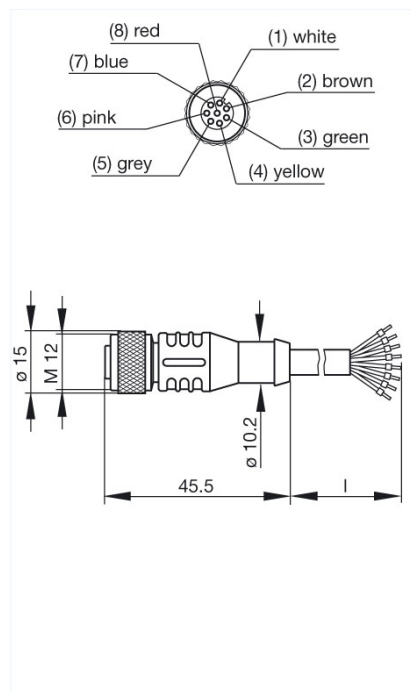




EF128 PUR8x025L0500 50

Industrial Connectors: Circular Connectors E-series M12 / M12 push-pull: with screw locking: Straight cable socket with integrally molded lead

Delivery informations	
Availability	available
Document created at	27.06.2009
Product description	
Description	Straight cable socket, with integrally molded lead, self-securing screw locking
Type	EF128 PUR8x025L0500 50
Order No.	934 401-231
Other standard types	cable length 2 m: order no. 934 401-230
Type of contact	female
Number of contacts	8
Cable material	PUR
Cable color	grey
Cable length	5 m
Conductor size	0.25 mm ²
Cable specification	high flexible lead
Cable type	Li9YH-11YH
Standard	IEC 61076-2-101 (Ed.1)
Housing Color	black
Drawing	



Technical data

Wire stranding	32 x 0.1
Rated voltage	AC/DC 30 V
Rated current	1.5 A
Material	
Contact material	Cu Zn
Contact surface material	Au
Contact bearer material	PA
Housing material	TPU
Coupling nut material	Zn Al/Ni
O-Ring	Viton
Environmental conditions	
Protection class (IEC 60529)	IP 67
Pollution severity	3
Temperature range	-30 °C to +90 °C
Inflammability class	
Cable	fire resist.
Approvals	
UL	UL pending
Packing unit	
Packaging unit	25 pieces
Scope of delivery and accessories	
Accessories to order separately	protective cap M 12 VS, order no. 734 209-100