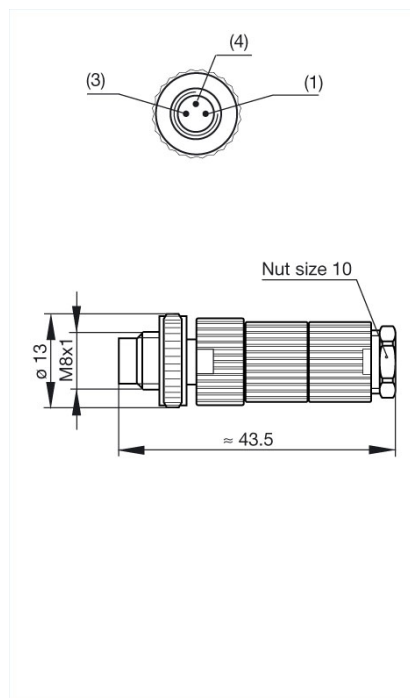




## ELST 3008 V

Industrial Connectors: Circular connectors E-series M8: with screw locking: MiniQuick, fast connection, cable plug self-assembled

Delivery informations	
Availability	available
Document created at	27.06.2009
Product description	
Description	Straight cable plug, unassembled, strain relief by means of clamping cage
Type	ELST 3008 V
Order No.	933 406-100
Type of contact	male
Number of contacts	3
Cable gland	M 9.5 x 1
Standard	IEC 61076-2-101 (Ed. 1)/ IEC 60947-5-2
Housing Color	black
Drawing	



Technical data	
Pin dimensions	1 mm
Rated voltage	AC/DC 60 V
Rated current	3 A (2 A at 0.14 mm <sup>2</sup> )
Type of termination	pin penetration
Suitable cables	diameter 4 mm to 5 mm / 0.14 mm <sup>2</sup> to 0.34 mm <sup>2</sup>

Core insulation of connecting leads	PVC, PETP, diameter 1.0 mm to 1.55 mm
<b>Material</b>	
Contact material	Cu Zn
Contact surface material	Au
Contact bearer material	PA
Housing material	PA
Coupling nut material	Zn Al/Ni
O-Ring	Viton / NBR
<b>Environmental conditions</b>	
Protection class (IEC 60529)	IP 67
Pollution severity	3
Temperature range	-25 °C to +70 °C
<b>Inflammability class</b>	
Housing	94 V-2
Contact bearer	94 V-2
<b>Packing unit</b>	
Packaging unit	100 pieces