

# General-purpose Relay MK-I/-S

## Exceptionally Reliable General-purpose Relay Features Mechanical Indicator/Push Button

- Breaks relatively large load currents despite small size.
- Long life (minimum 100,000 electrical operations) assured by silver contacts.
- Built-in operation indicator (Mechanical, LED), push button, diode surge suppression, varistor surge suppression.
- Standard models are UL, CSA, SEV, DEMKO, NEMKO, SEMKO, TÜV (IEC), and VDE.
- Conforming to CENELEC standards.



## Model Number Structure

### ■ Model Number Legend

#### Standard Models

MK    -  -

1    2    3    4    5    6

**1. Contact Form**

- 2: DPDT  
3: 3PDT

**2. Cover**

- P: Dust cover

**3. Internal Connection Construction**

- Blank: Standard  
2 or 5: Non-standard connection  
(Refer to *Terminal Arrangement/Internal Connections*)

**4. Mechanical Indicator Push Button**

- S: Mechanical indicator and push button  
I: Mechanical indicator

**5. Approved Standards**

- Blank: UL, CSA, DEMKO, NEMKO  
SEMKO, SEV, TÜV  
VD: VDE

**6. Rated Voltage**

- (Refer to *Coil Ratings*)

#### Special Accessories

MK     -  -  -

1    2    3    4    5    6    7    8

**1. Contact Form**

- 2: DPDT  
3: 3PDT

**2. Cover**

- P: Dust cover

**3. Classification**

- N: LED indicator  
D: Diode  
V: Varistor  
ND: LED indicator and diode  
NV: LED indicator and varistor

**4. Coil Polarity**

- Blank: Standard  
1: Reverse  
(Refer to *Terminal Arrangement/Internal Connections*)

**5. Internal Connection Construction**

- Blank: Standard  
2 or 5: Non-standard connection  
(Refer to *Terminal Arrangement/Internal Connections*)

**6. Mechanical Indicator Push Button**

- S: Mechanical indicator and push button  
I: Mechanical indicator

**7. Approved Standards**

- Blank: UL and CSA only  
VD: VDE (N and D models only)

**8. Rated Voltage**

- (Refer to *Coil Ratings*)

# Ordering Information

## List of Models

Type	Terminal	Contact form	Internal connection (see note 3)	With mechanical indicator	With mechanical indicator and pushbutton	Coil ratings	Approved standards
Standard	Plug-in	DPDT	Standard	MK2P-I	MK2P-S	AC (∧), DC (≡)	UL, CSA, SEV, DEMKO, NEMKO, SEMKO, TÜV
			Non-standard	MK2P2-I	MK2P2-S		
		3PDT	Standard	MK3P-I	MK3P-S		
			Non-standard	MK3P2-I MK3P5-I	MK3P2-S MK3P5-S		
LED Indicator (see note 2)	Plug-in	DPDT	Standard	MK2PN□-I	MK2PN□-S	AC (∧), DC (≡)	UL, CSA
			Non-standard	MK2PN□-2-I	MK2PN□-2-S		
		3PDT	Standard	MK3PN□-I	MK3PN□-S		
			Non-standard	MK3PN□-2-I MK3PN□-5-I	MK3PN□-2-S MK3PN□-5-S		
Diode (see note 2)	Plug-in	DPDT	Standard	MK2PD□-I	MK2PD□-S	DC (≡)	UL, CSA
			Non-standard	MK2PD□-2-I	MK2PD□-2-S		
		3PDT	Standard	MK3PD□-I	MK3PD□-S		
			Non-standard	MK3PD□-2-I MK3PD□-5-I	MK3PD□-2-S MK3PD□-5-S		
Varistor	Plug-in	DPDT	Standard	MK2PV-I	MK2PV-S	AC (∧)	UL, CSA
			Non-standard	MK2PV-2-I	MK2PV-2-S		
		3PDT	Standard	MK3PV-I	MK3PV-S		
			Non-standard	MK3PV-2-I MK3PV-5-I	MK3PV-2-S MK3PV-5-S		
VDE approved	Plug-in	DPDT	Standard	MK2P-I-VD	MK2P-S-VD	AC (∧), DC (≡)	UL, CSA, SEV, DEMKO, NEMKO, SEMKO, TÜV, VDE
			Non-standard	MK2P2-I-VD	MK2P2-S-VD		
		3PDT	Standard	MK3P-I-VD	MK3P-S-VD		
			Non-standard	MK3P2-I-VD MK3P5-I-VD	MK3P2-S-VD MK3P5-S-VD		
LED Indicator VDE approved	Plug-in	DPDT	Standard	MK2PN-I-VD	MK2PN-S-VD	AC (∧), DC (...)	UL, CSA, VDE
			Non-standard	MK2PN-2-I-VD	MK2PN-2-S-VD		
		3PDT	Standard	MK3PN-I-VD	MK3PN-S-VD		
			Non-standard	MK3PN-2-I-VD MK3PN-5-I-VD	MK3PN-2-S-VD MK3PN-5-S-VD		
Diode VDE approved	Plug-in	DPDT	Standard	MK2PD-I-VD	MK2PD-S-VD	DC (...)	UL, CSA, VDE
			Non-standard	MK2PD-2-I-VD	MK2PD-2-S-VD		
		3PDT	Standard	MK3PD-I-VD	MK3PD-S-VD		
			Non-standard	MK3PD-2-I-VD MK3PD-5-I-VD	MK3PD-2-S-VD MK3PD-5-S-VD		

**Note:** 1. When ordering, add the rated voltage to the model number. Rated voltages are given in the coil ratings table in *Specifications*.

Example: MK3P5-S 230 VAC

Rated voltage

2. This DC coil comes in two types: standard coil polarity and reversed coil polarity. Refer to *Terminal Arrangement/Internal Connections*.

Example: MK2PN1-I 24 VDC

Reverse polarity

3. Refer to *Terminal Arrangement/Internal Connections* for non-standard internal connection.

4. The gold plating thickness depends on the request.

Example: MK3P-I AP3 24 VAC

Gold plating thickness: 3 μm

## Accessories (Order Separately)

Item	Model	
Track-mounted Socket	8-pin type	PF083A-E
	11-pin type	PF113A-E
Hold-down Clip	PFC-A1	

# Specifications

## ■ Coil Ratings

### UL, CSA, DEMKO, NEMKO, SEMKO, SEV, TÜV

	Rated voltage	Rated current		Coil resistance	Must operate voltage	Must release voltage	Max. voltage	Power consumption
		60 Hz	50 Hz					
AC (~)	6 V	360 mA	404 mA	3.9 Ω	80% max. of rated voltage	30% min. of rated voltage	90% to 110% of rated voltage	Approx. 2.3 VA (at 60 Hz) Approx. 2.7 VA (at 50 Hz)
	12 V	180 mA	202 mA	16.9 Ω				
	24 V	88.0 mA	98.0 mA	62.0 Ω				
	50 V	39.0 mA	46.3 mA	330 Ω				
	100 V	24.8 mA	28.4 mA	1,010 Ω				
	110 V	21.0 mA	24.7 mA	1,240 Ω				
	120 V	18.0 mA	20.2 mA	1,520 Ω				
	200 V	12.1 mA	14.2 mA	4,520 Ω				
	220 V	11.0 mA	12.9 mA	5,130 Ω				
	230 V	10.5 mA	12.3 mA	6,170 Ω				
	240 V	9.2 mA	10.3 mA	6,450 Ω				
DC (—)	6 V	255 mA		23.5 Ω	15% min. of rated voltage		Approx. 1.5 W	
	12 V	126 mA		95 Ω				
	24 V	56 mA		430 Ω				
	48 V	29.5 mA		1,630 Ω				
	100 V	14.7 mA		6,800 Ω				
	110 V	15.1 mA		7,300 Ω				

## VDE

	Rated voltage	Rated current		Coil resistance	Must operate voltage	Must release voltage	Max. voltage	Power consumption				
		50 Hz	60 Hz									
AC (~)	6 V	380 mA	325 mA	4.4 Ω	80% max. of rated voltage	30% min. of rated voltage	90% to 110% of rated voltage	Approx. 2.0 VA (at 60 Hz) Approx. 2.4 VA (at 50 Hz)				
	12 V	175 mA	145 mA	19.0 Ω								
	24 V	91.0 mA	76.5 mA	70.7 Ω								
	50 V	42.0 mA	36.0 mA	330 Ω								
	100 V	24.0 mA	20.5 mA	1,150 Ω								
	110 V	21.5 mA	18.0 mA	1,400 Ω								
	120 V	20.0 mA	17.0 mA	1,600 Ω								
	200 V	11.2 mA	9.4 mA	5,110 Ω								
	220 V	10.2 mA	8.7 mA	5,800 Ω								
	230 V	9.6 mA	8.1 mA	6,990 Ω								
	240 V	9.4 mA	7.9 mA	7,400 Ω								
	DC (—)	6 V	225 mA						26.7 Ω	15% min. of rated voltage		Approx. 1.3 W
		12 V	116 mA						107 Ω			
24 V		56.0 mA		440 Ω								
48 V		29.0 mA		1,660 Ω								
100 V		13.1 mA		7,660 Ω								
110 V		12.5 mA		8,720 Ω								

- Note:**
1. The rated current and coil resistance are measured at a coil temperature of 23°C with tolerances of +15%/–20% for AC rated current and ±15% for DC coil resistance.
  2. Performance characteristic data are measured at a coil temperature of 23°C.
  3. ~ indicates AC and — indicates DC (IEC417 publications).
  4. For 200 VDC applications, a 100-VDC Relay is supplied with a fixed 6.8 kΩ, 30 W resistor. Be sure to connect the resistor in series with the coil.
  5. For models with the LED indicator built in, add an LED current of approximately 0 through 5 mA to the rated current.

## ■ Contact Ratings

Load	Resistive load ( $\cos\phi = 1$ )	Inductive load ( $\cos\phi = 0.4$ )
Contact mechanism	Single	
Contact material	Ag	
Rated load	10 A at 250 VAC 10A at 28 VDC	7 A at 250 VAC
Rated carry current	10 A	
Max. switching voltage	250 VAC, 250 VDC	
Max. switching current	10 A	
Max. switching power	2,500 VA, 280 W	1,750 VA

## ■ Characteristics

Contact resistance	50 m $\Omega$ max.
Operate time	AC: 20 ms max. DC: 30 ms max.
Release time	20 ms max.
Max. operating frequency	Mechanical:18,000 operations/hr Electrical:1,800 operations/hr (under rated load)
Insulation resistance	100 M $\Omega$ min. (at 500 VDC)
Dielectric strength	2,500 VAC, 50/60 Hz for 1 min between coil and contacts; 1,000 VAC, 50/60 Hz for 1 min between contacts of same polarity, terminals of the same polarity; 2,500 VAC, 50/60 Hz fro 1 min between current-carrying parts, non-current-carrying parts, and terminals of opposite polarity
Vibration resistance	Destruction:10 to 55 to 10 Hz, 0.75-mm single amplitude (1.5-mm double amplitude) Malfunction:10 to 55 to 10 Hz, 0.5-mm single amplitude (1.0-mm double amplitude)
Shock resistance	Destruction:1,000 m/s <sup>2</sup> (approx. 100G) Malfunction:100 m/s <sup>2</sup> (approx. 10G);
Endurance	Mechanical:10,000,000 operations min. (at operating frequency of 18,000 operations/hour) Electrical:Refer to <i>Engineering Data</i> .
Error rate (reference value)	10 mA at 1 VDC
Ambient temperature	Operating:–10°C to 40°C (with no icing or condensation)
Ambient humidity	Operating: 5% to 85%
Weight	Approx. 85 g

**Note:** The data shown are initial values.

## ■ Approved Standards

The following ratings apply to all models.

### **UL 508 (File No. E41515)/CSA 22.2 No.0/14 (File No. LR35535)**

Coil ratings	Contact ratings	Operations
6 to 110 VDC 6 to 240 VAC	10 A, 28 VDC (resistive) 10 A, 250 VAC (resistive) 7 A, 250 VAC (general use)	100,000 cycles

### **SEV, DEMKO, NEMKO**

Coil ratings	Contact ratings	Operations
6 to 110 V $\sim$ 6 to 240 V $\sim$	10 A, 250 V $\sim$ (NO) ( $\cos\phi = 1$ ) 5 A, 250 V $\sim$ (NC) ( $\cos\phi = 1$ ) 10 A, 28 V $\sim$ (NO) 5 A, 28 V $\sim$ (NC) 7 A, 250 V $\sim$ ( $\cos\phi = 0.4$ )	100,000 cycles

### **SEMKO**

Coil ratings	Contact ratings	Operations
6 to 110 V $\sim$ 6 to 240 V $\sim$	10 A, 250 V $\sim$ (NO) ( $\cos\phi = 1$ ) 5 A, 250 V $\sim$ (NC) ( $\cos\phi = 1$ )	100,000 cycles

### **TÜV (VDE 0435 Teil 201/05'90, IEC 255 Teil 1-00'75, EN 60950'88)**

(TÜV File No.: R9051410)

Coil ratings	Contact ratings	Conditions	Operations
6, 12, 24, 48, 100 110 V $\sim$ 6, 12, 24, 50, 100, 110 115, 120, 200, 220 230, 240 V $\sim$	10 A, 250 V $\sim$ ( $\cos\phi = 1$ ) 10 A, 28 V $\sim$ 7 A, 250 V $\sim$ ( $\cos\phi = 0.4$ )	IEC 255-1-00 Item 3.1.4 Pollution Degree 3, Overvoltage Category II Pick up class - class 2 Temperature class - class b	100,000 cycles

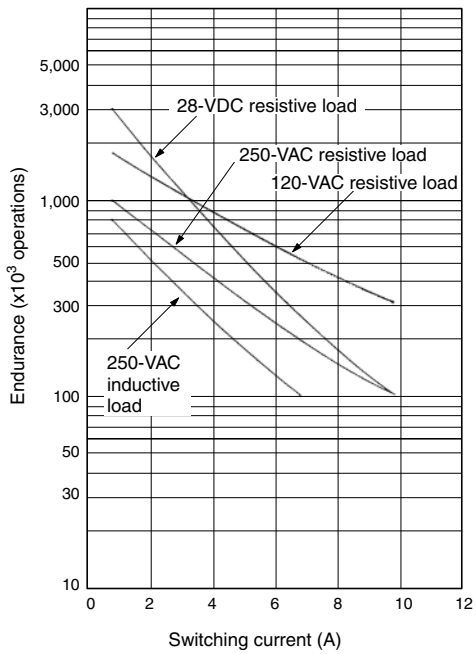
### **VDE (VDE 0435 Teil 201/05'83, IEC 255 Teil 1-00'75)**

(VDE File No.: NR 5340)

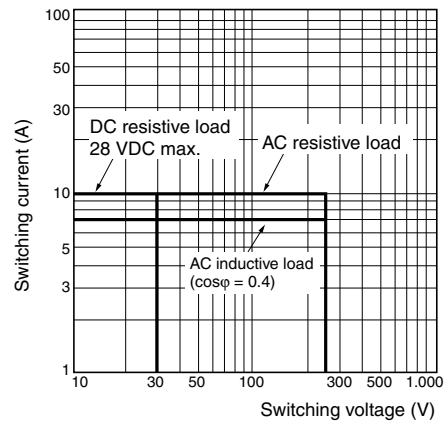
Coil ratings	Contact ratings	Conditions	Operations
6, 12, 24, 48, 100 110 V $\sim$ 6, 12, 24, 50, 100, 110 115, 120, 200, 220 230, 240 V $\sim$	10 A, 250 V $\sim$ ( $\cos\phi = 1$ ) 10 A, 28 V $\sim$ 7 A, 250 V $\sim$ ( $\cos\phi = 0.4$ )	C/250 - class 1, class C	100,000 cycles

# Engineering Data

## ■ Electrical Endurance



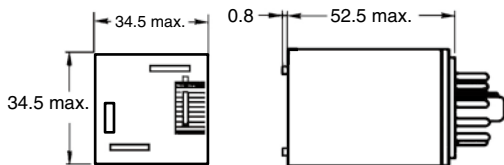
## ■ Maximum Switching Power



# Dimensions

Note: All units are in millimeters unless otherwise indicated.

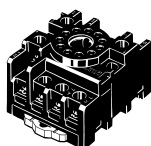
## Relays



## Sockets

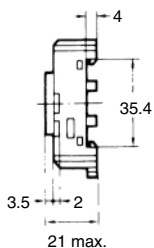
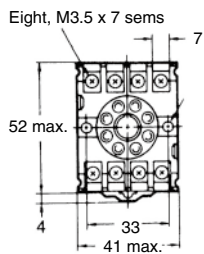
See below for Socket dimensions.

Socket	Surface-mounting Socket (for track or screw mounting)	
	Finger-protection models	---
Maximum carry current	10 A	5 A
2 poles	PF083A-E	PF083A
3 poles	PF113A-E	PF113A

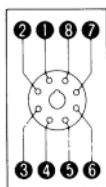


Note: Use the Surface-mounting Sockets (i.e., finger-protection models) with “E” at the end of the model number. When using the PF083A and PF113A, be sure not to exceed the Socket’s maximum carry current of 5 A. Using at a current exceeding 5 A may lead to burning. Round terminals cannot be used for finger-protection models. Use Y-shaped terminals.

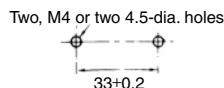
### PF083A-E (Conforming to EN 50022)



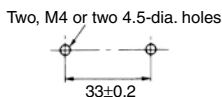
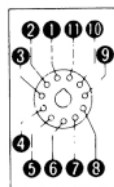
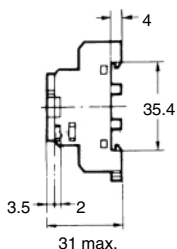
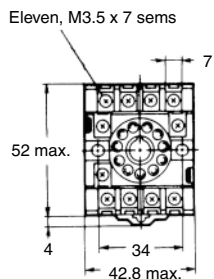
#### Terminal Arrangement



#### Mounting Holes

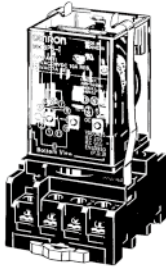


### PF113A-E (Conforming to EN 50022)



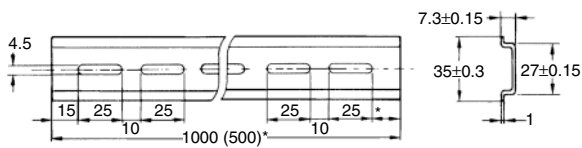
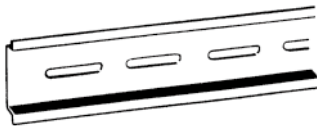
## Hold-down Clips

PFC-A1



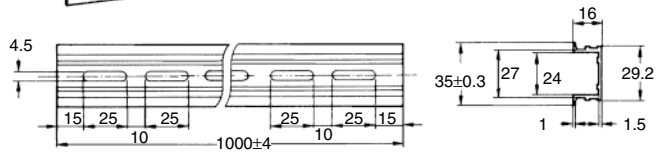
## Mounting Tracks

PFP-100N, PFP-50N  
(Conforming to EN 50022)



\* This dimension applies to the PFP-50N Mounting Track.

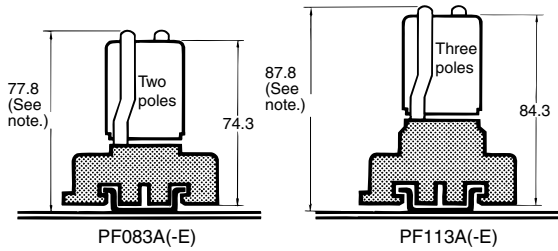
PFP-100N2  
(Conforming to EN 50022)



\* A total of twelve 25 x 4.5 elliptic holes is provided with six holes cut from each track end at a pitch of 10 mm.

## Mounting Height with Sockets

### Surface-mounting Sockets

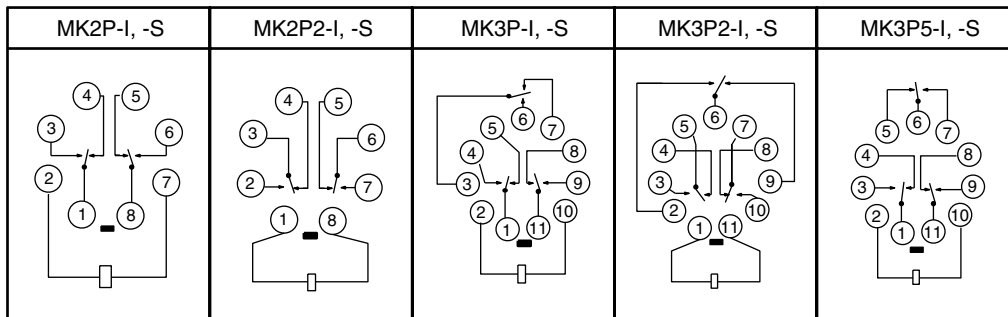


**Note:** PF083A(-E) and PF113A(-E) allow either track or screw mounting.

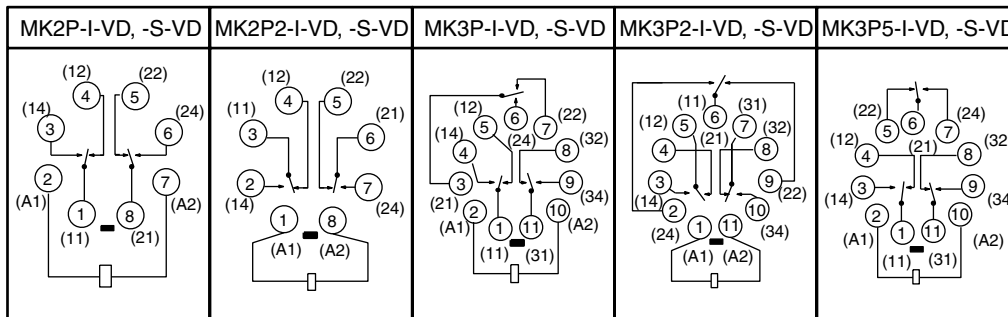


# Terminal Arrangement/Internal Connection (Bottom View)

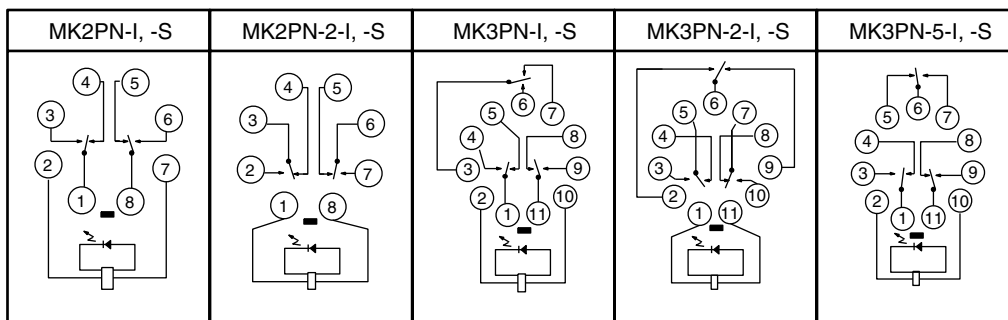
Standard  
(AC/DC Coil)



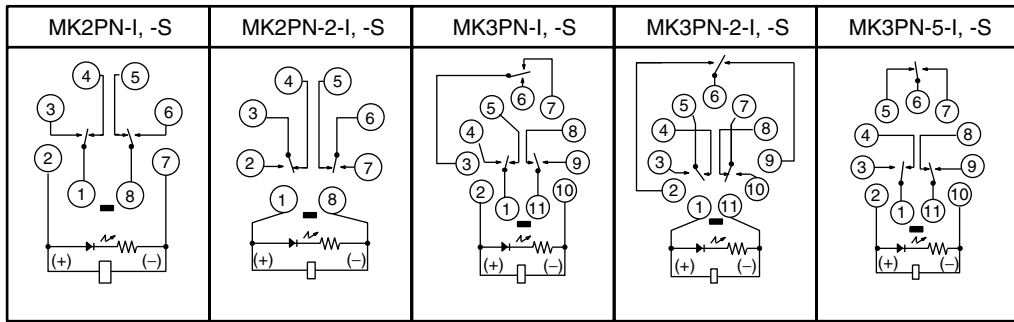
VDE-approved Type  
(AC/DC Coil)  
( ): Dual Numbering



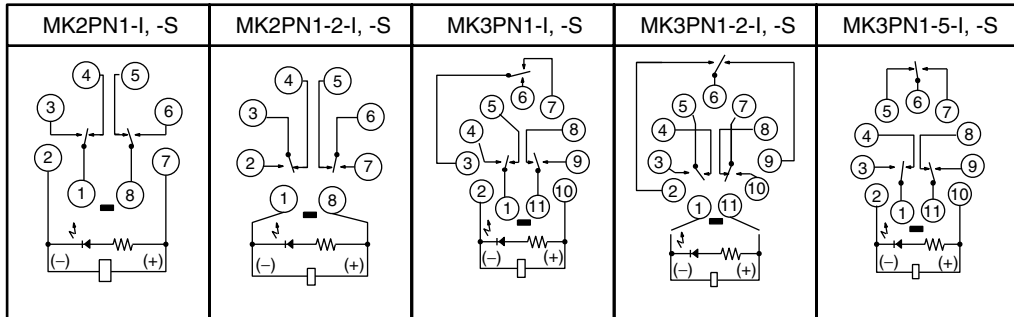
LED Indicator Type  
(AC Coil)



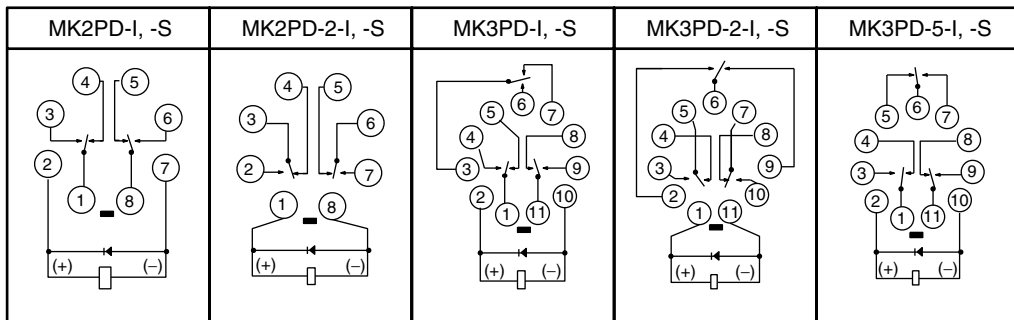
**LED Indicator Type  
(DC Coil:  
Standard Polarity)**



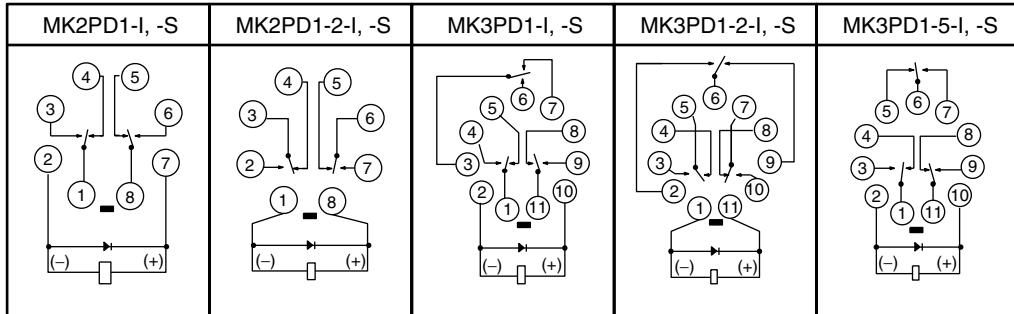
**LED Indicator Type  
(DC Coil:  
Reverse Polarity)**



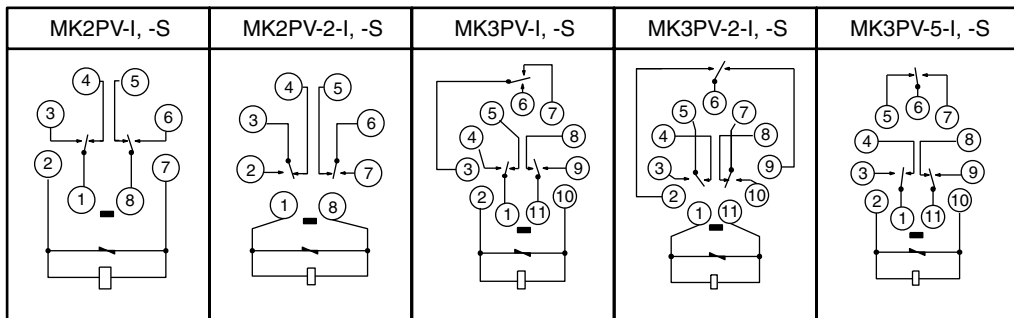
**Diode Type  
(DC Coil:  
Standard Polarity)**



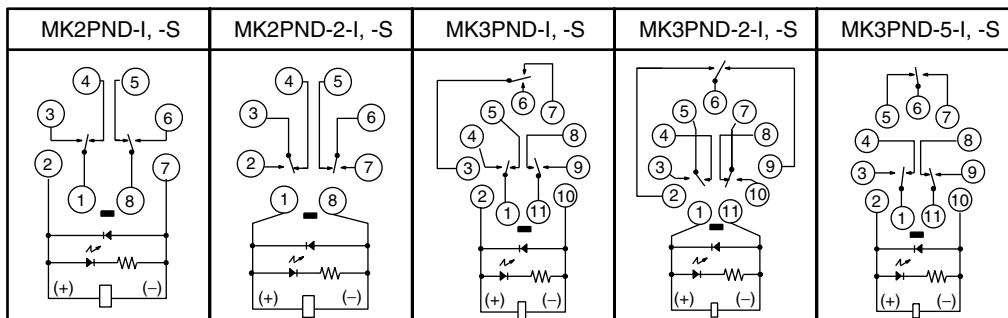
**Diode Type  
(DC Coil:  
Reverse Polarity)**



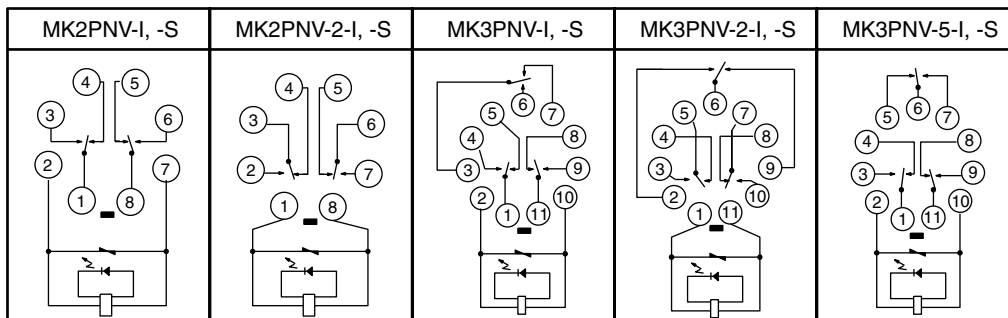
**Varistor Type  
(AC Coil)**



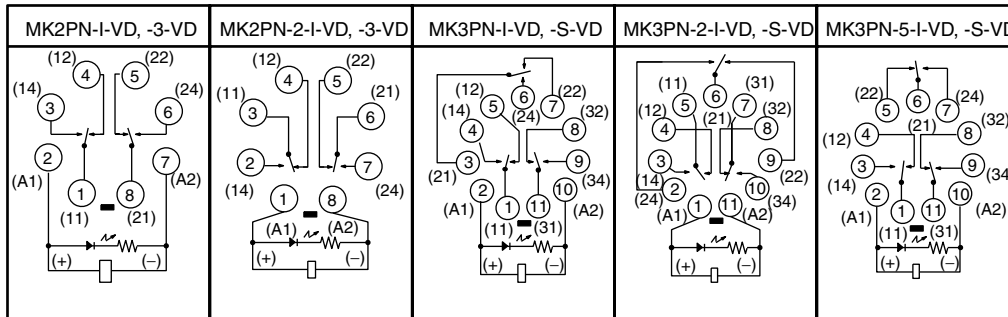
**LED Indicator and Diode Type (DC Coil)**



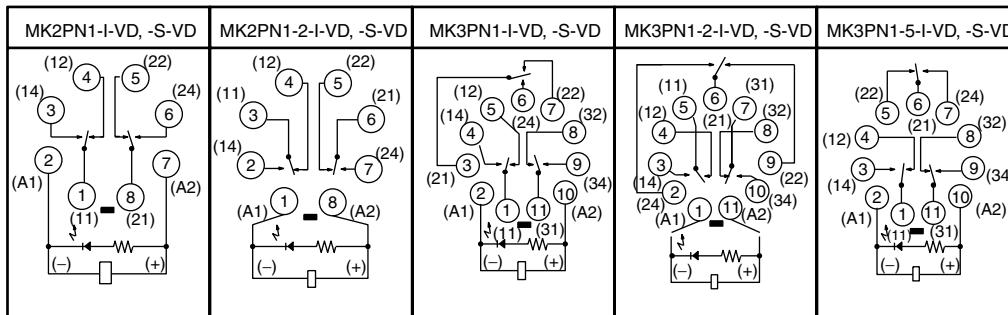
**LED Indicator and Varistor Type (AC Coil)**



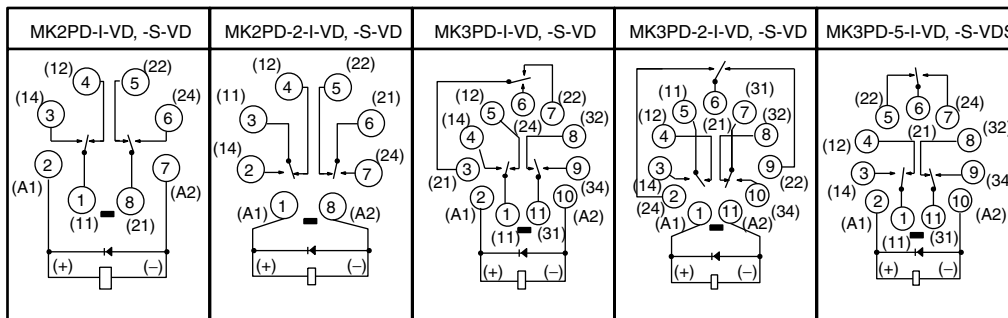
**VDE Approved Type LED Indicator Type (DC Coil: Standard Polarity)**  
( ): Dual Numbering



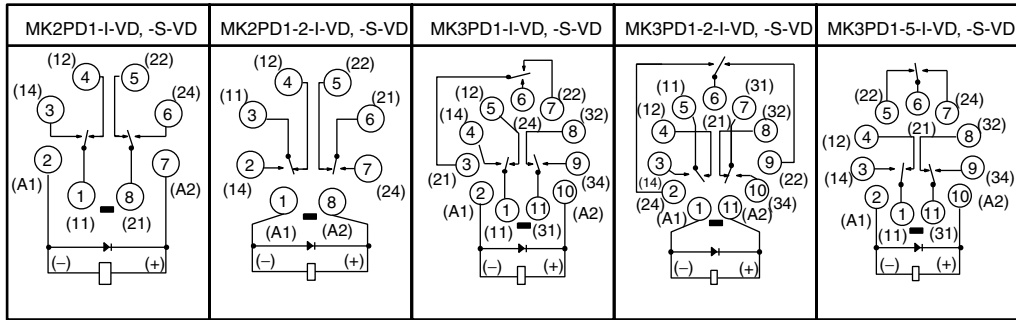
**VDE Approved Type LED Indicator Type (DC Coil: Reverse Polarity)**



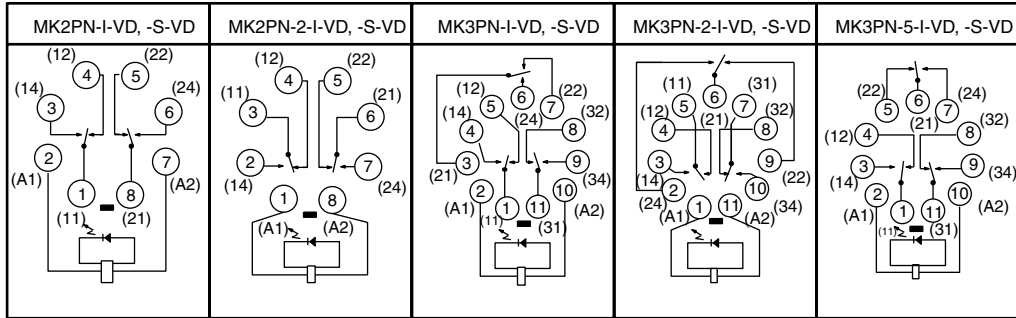
**VDE Approved Type Diode Type (DC Coil: Standard Polarity)**



**VDE Approved Type  
Diode Type  
(DC Coil:  
Reverse Polarity)**



**VDE Approved Type  
LED Indicator Type  
(AC Coil)**



ALL DIMENSIONS SHOWN ARE IN MILLIMETERS.

To convert millimeters into inches, multiply by 0.03937. To convert grams into ounces, multiply by 0.03527.

In the interest of product improvement, specifications are subject to change without notice.

## Read and Understand This Catalog

Please read and understand this catalog before purchasing the products. Please consult your OMRON representative if you have any questions or comments.

## Warranty and Limitations of Liability

### WARRANTY

OMRON's exclusive warranty is that the products are free from defects in materials and workmanship for a period of one year (or other period if specified) from date of sale by OMRON.

OMRON MAKES NO WARRANTY OR REPRESENTATION, EXPRESS OR IMPLIED, REGARDING NON-INFRINGEMENT, MERCHANTABILITY, OR FITNESS FOR PARTICULAR PURPOSE OF THE PRODUCTS. ANY BUYER OR USER ACKNOWLEDGES THAT THE BUYER OR USER ALONE HAS DETERMINED THAT THE PRODUCTS WILL SUITABLY MEET THE REQUIREMENTS OF THEIR INTENDED USE. OMRON DISCLAIMS ALL OTHER WARRANTIES, EXPRESS OR IMPLIED.

### LIMITATIONS OF LIABILITY

OMRON SHALL NOT BE RESPONSIBLE FOR SPECIAL, INDIRECT, OR CONSEQUENTIAL DAMAGES, LOSS OF PROFITS, OR COMMERCIAL LOSS IN ANY WAY CONNECTED WITH THE PRODUCTS, WHETHER SUCH CLAIM IS BASED ON CONTRACT, WARRANTY, NEGLIGENCE, OR STRICT LIABILITY.

In no event shall responsibility of OMRON for any act exceed the individual price of the product on which liability is asserted.

IN NO EVENT SHALL OMRON BE RESPONSIBLE FOR WARRANTY, REPAIR, OR OTHER CLAIMS REGARDING THE PRODUCTS UNLESS OMRON'S ANALYSIS CONFIRMS THAT THE PRODUCTS WERE PROPERLY HANDLED, STORED, INSTALLED, AND MAINTAINED AND NOT SUBJECT TO CONTAMINATION, ABUSE, MISUSE, OR INAPPROPRIATE MODIFICATION OR REPAIR.

## Application Considerations

### SUITABILITY FOR USE

OMRON shall not be responsible for conformity with any standards, codes, or regulations that apply to the combination of products in the customer's application or use of the product.

At the customer's request, OMRON will provide applicable third party certification documents identifying ratings and limitations of use that apply to the products. This information by itself is not sufficient for a complete determination of the suitability of the products in combination with the end product, machine, system, or other application or use.

The following are some examples of applications for which particular attention must be given. This is not intended to be an exhaustive list of all possible uses of the products, nor is it intended to imply that the uses listed may be suitable for the products:

- Outdoor use, uses involving potential chemical contamination or electrical interference, or conditions or uses not described in this catalog.
- Nuclear energy control systems, combustion systems, railroad systems, aviation systems, medical equipment, amusement machines, vehicles, safety equipment, and installations subject to separate industry or government regulations.
- Systems, machines, and equipment that could present a risk to life or property.

Please know and observe all prohibitions of use applicable to the products.

NEVER USE THE PRODUCTS FOR AN APPLICATION INVOLVING SERIOUS RISK TO LIFE OR PROPERTY WITHOUT ENSURING THAT THE SYSTEM AS A WHOLE HAS BEEN DESIGNED TO ADDRESS THE RISKS, AND THAT THE OMRON PRODUCT IS PROPERLY RATED AND INSTALLED FOR THE INTENDED USE WITHIN THE OVERALL EQUIPMENT OR SYSTEM.

## Disclaimers

### CHANGE IN SPECIFICATIONS

Product specifications and accessories may be changed at any time based on improvements and other reasons.

It is our practice to change model numbers when published ratings or features are changed, or when significant construction changes are made. However, some specifications of the product may be changed without any notice. When in doubt, special model numbers may be assigned to fix or establish key specifications for your application on your request. Please consult with your OMRON representative at any time to confirm actual specifications of purchased product.

### DIMENSIONS AND WEIGHTS

Dimensions and weights are nominal and are not to be used for manufacturing purposes, even when tolerances are shown.

### ERRORS AND OMISSIONS

The information in this catalog has been carefully checked and is believed to be accurate; however, no responsibility is assumed for clerical, typographical, or proofreading errors, or omissions.

### PERFORMANCE DATA

Performance data given in this catalog is provided as a guide for the user in determining suitability and does not constitute a warranty. It may represent the result of OMRON's test conditions, and the users must correlate it to actual application requirements. Actual performance is subject to the OMRON Warranty and Limitations of Liability.

### PROGRAMMABLE PRODUCTS

OMRON shall not be responsible for the user's programming of a programmable product, or any consequence thereof.

### COPYRIGHT AND COPY PERMISSION

This catalog shall not be copied for sales or promotions without permission.

This catalog is protected by copyright and is intended solely for use in conjunction with the product. Please notify us before copying or reproducing this catalog in any manner, for any other purpose. If copying or transmitting this catalog to another, please copy or transmit it in its entirety.