



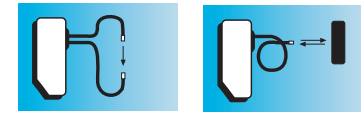
Fiber optic sensors Series 18

20-turn potentiometer		Side-mounted potentiometer	
Sb 310 mm	Tw 60 mm	Sb 800 mm	Tw 150 mm
			
Fast version			

PNP	light operate
	dark operate
	light/dark operate
NPN	light operate
	dark operate
	light/dark operate

cable	cable	connector
FZAM 18P1155	FZAM 18P1150	FZAM 18P1150/S14
FZAM 18N1155	FZAM 18N1150	FZAM 18N1150/S14

technical data		
actual range Sb (through beam sensors)	310 mm	800 mm
distance Tw (diffuse sensors)	60 mm	150 mm
output indicator	yellow LED	yellow LED
alignment aid / soiled lens indicator	flashing LED	flashing LED
light source / wave length	pulsed infrared LED / 880 nm	pulsed infrared diode / 880 nm
voltage supply range	10 - 30 VDC	10 - 30 VDC
max. supply current average value / peak value	30 mA / 45 mA	30 mA / 45 mA
max. switching current	200 mA	200 mA
voltage drop	≤ 1,8 VDC	≤ 1,8 VDC
response time / release time	≤ 0,5 ms / ≤ 0,5 ms	≤ 1 ms / ≤ 1 ms
sensitivity adjustment	Pot, 20 turns	by side mounted 270° pot
short circuit protection	yes	yes
reverse polarity protection	yes	yes
temperature range	-25...+55 °C	-25...+55 °C
housing material	brass nickel plated / polycarbonate	brass nickel plated / polycarbonate
protection class	IP 65	IP 67



Series 18

- Diffuse sensors may be combined with reflective and through beam fiber optics
- Standard and extended sensing distances
- Fully adjustable sensitivity

Range Sb 800 mm

Distance Tw 150 mm

ton 1,0 ms
ton 0,5 ms

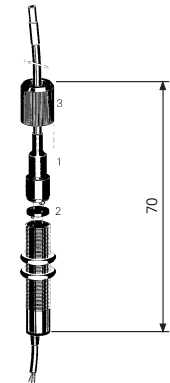
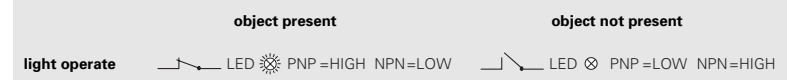
Metal housing

A-type fiber optic

connection diagrams



output states



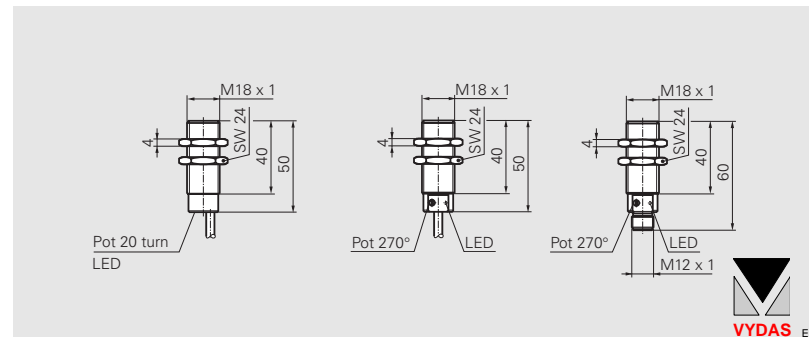
accessories

- The adjusting plate and cap nut are included with each fiber optic cable.
- 1 = fiber optic see fiber optic section
 - 2 = adjusting plate part nr. 101958
 - 3 = cap nut part nr. 101480

connector

- ES 14
- ES 24
- ESW 33AH0200 4 pin 2 m PUR halogen-free
- ESG 34AH0200 4 pin 2 m PUR halogen-free

for details see accessories section



Vydas International Marketing
Swan House Passfield Business Centre
Lynchborough Road Passfield
Hampshire GU30 7SB United Kingdom
Tel:44(0)1428 751822 Fax:44(0)1428 751833
Email:info@vydas.co.uk Web: www.vydas.co.uk