

DIGITAL VOLTMETERS

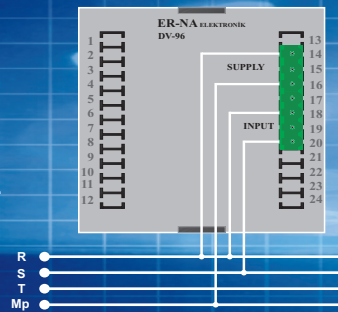


- DV**
- Used for measuring the RMS value of AC voltage in between two points.
 - Can be measured Phase-Phase or Phase-Neutral voltage.
- DV6**
- Can be measured selectable 3xPhase-Phase or 3xPhase-Neutral voltage. The measured value is displayed on the screen
- REG**
- Two different measured value is two different displayed on the screen.

TECHNICAL DATA

Supply Voltage (Un)	: 220V AC
Operation Voltage	: (0,8-1,2) x Un
Operation Frequency	: 50/60 Hz
Screen	: 1x3 digit, 14 mm display 2x3 digit 14 mm display (REG-72 for)
Measurement Range	: 0-500V AC
Sensitivity	: ± %1
Operation Temperature	: -40...+50 °C
Dimensions (mm.)	: 72x72x83 (DV-72,REG-72,DV6-72) 96x96x75 (DV-96,DV6-96)
Net Weight	: 233 gr. (DV-72,REG-72,DV6-72) 266 gr. (DV-96,DV6-96)

CONNECTION DIAGRAM



TERMINALS

DV	14,16 : Supply Voltage (DV-96 for)
	11,13 : Supply Voltage (DV-72 for)
REG-72	18,20 : Input Voltage (DV-96 for)
	15,17 : Input Voltage (DV-72 for)
REG-72	16 : Supply Voltage
	18 : Regulator Out Voltage
	20 : Neutral
DV6	14 : L1 Phase Input
	16 : L2 Phase Input
	18 : L3 Phase Input
	20 : Neutral

DIGITAL AMMETERS

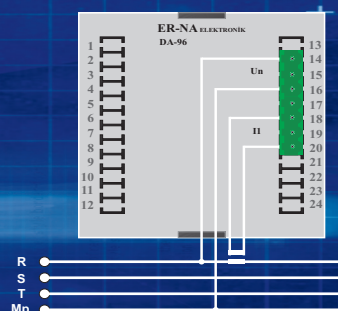


- DA-72, DA-96**
- DA is used to precisely measure and monitor the RMS value of AC Current.
 - Current Transform Ratio is adjustable via buttons on front panel.
 - Adjustable Current Transformer Ratio (1-10000/5 A)
 - The measured value is displayed on the screen.

TECHNICAL DATA

Supply Voltage (Un)	: 220V AC
Operation Voltage	: (0,8-1,2) x Un
Operation Frequency	: 50/60 Hz
Screen	: 1x4 digit, 14 mm, red display
Measurement Range	: 1-10000A AC (with current transformers)
Sensitivity	: ± %2
Operation Temperature	: -40...+50 °C
Dimensions (mm.)	: 72x72x83 (DA-72) 96x96x75 (DA-96)
Net Weight	: 226 gr. (DA-72) 273 gr. (DA-96)

CONNECTION DIAGRAM



TERMINALS

DA-96	14,16 : Supply Voltage (DA-96 for)
	11,13 : Supply Voltage (DA-72 for)
DA-72	18,20 : Input Current Transformer (DA-96 for)
	15,17 : Input Current Transformer (DA-72 for)