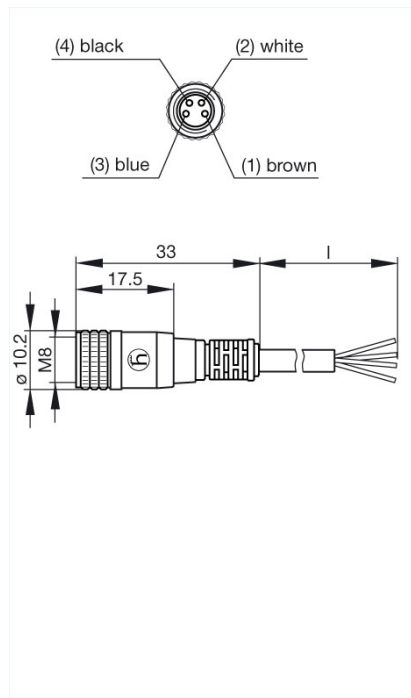




ELKA-KV 4408 PVC 025 2m

Industrial Connectors: Circular connectors E-series M8: with screw locking: Straight cable socket with integrally molded lead

Delivery informations	
Availability	available
Document created at	27.06.2009
Product description	
Description	Straight cable socket, with integrally molded lead, self-securing lock nut
Type	ELKA-KV 4408 PVC 025 2m
Order No.	933 152-041
Other standard types	cable material PVC 025: cable length 5 m, order no. 933 152-042; cable material PUR 025: cable length 2 m, order no. 933 358-021; cable length 5 m, order no. 933 358-022
Type of contact	female
Number of contacts	4
Cable material	PVC
Cable color	black
Cable length	2 m
Conductor size	0.25 mm ²
Cable specification	high flexible lead
Cable type	LiYY
Standard	IEC 61076-2-101 (Ed. 1)/ IEC 60947-5-2
Housing Color	black
Drawing	



Technical data	
Wire stranding	32 x 0.1
Rated voltage	AC/DC 60 V
Rated current	3 A
Material	
Contact material	Cu Sn 6
Contact surface material	Au
Contact bearer material	PA natural-colored
Housing material	PUR
Coupling nut material	Zn Al/Ni
O-Ring	Viton
Environmental conditions	
Protection class (IEC 60529)	IP 68
Pollution severity	3
Temperature range	-25 °C to +90 °C
Inflammability class	
Housing	94 V-2
Cable	VDE 0472 part 804
Contact bearer	94 V-2
Approvals	
UL	UL
Packing unit	
Packaging unit	50 pieces