

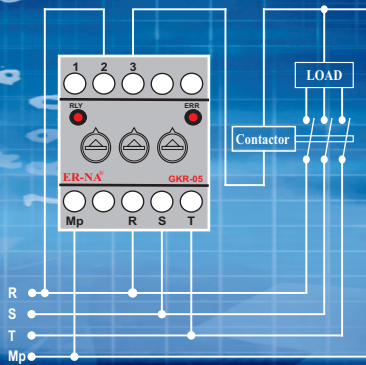
## VOLTAGE CONTROL RELAYS



### TECHNICAL DATA

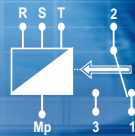
Supply Voltage (Un)	: 3x380V AC
The device power is supplied from the network protected.	
Operation Frequency	: 50/60 Hz
Output	: 1 Relay, 5A, 1250 VA (NO+NC)
Under Voltage Range	: 320-370V (adjustable)
Over Voltage Range	: 390-430V (adjustable)
Delay Time	: 1-10 sec. (adjustable)
Operation Temperature	: -40...+50 °C
Protection Class	: IP 20
Dimensions ( mm.)	: 45x55x90 (Classic Type) 23x82x85 (Slim Type)
Net Weight	: 102 gr. (Classic Type) 90 gr. (Slim Type)

### CONNECTION DIAGRAM 1

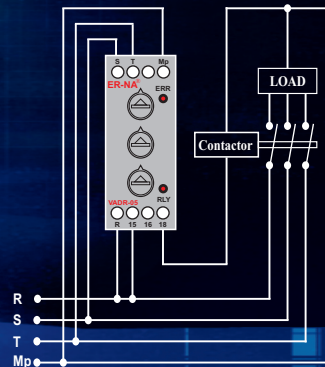


#### TERMINALS

- Mp : Neutral Input
- R : R Phase Input
- S : S Phase Input
- T : T Phase Input
- 1 : NC Contact
- 2 : Common Contact
- 3 : NO Contact

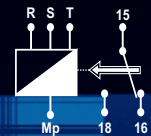


### CONNECTION DIAGRAM 2



#### TERMINALS

- Mp : Neutral Input
- R : R Phase Input
- S : S Phase Input
- T : T Phase Input
- 16 : NC Contact
- 15 : Common Contact
- 18 : NO Contact



### GKR-05, VADR-05

- Microprocessor controlled.
- If the phases (R,S,T) are within the adjusted limits the output relay switches on.
- If any of the phase voltages falls below the Vmin setting value, or/and exceeds the Vmax setting value, the error led turns on and at the end of the delay time the output relay switches off.
- Under voltage(320-370V), over voltage(390-430V) and delay time(1-10 sec.) can be adjust from the front panel.
- Single Contact Out. (NO+NC)
- Error and relay contact available.
- Standardized railed relays.

### GKR-05F, VADR-05F

- Same GKR-05, but phase sequence is available.

### GKR-03

- Same GKR-05, but over voltage is not monitored.
- Only under voltage adjustable and delay time adjustable.

### GKR-04

- Same GKR-05, but under voltage is not monitored.
- Only over voltage and delay time adjustable.

Code	Supply Voltage	Protection Function				Voltage Connection	Output	Connection Diagram	
		Phase Failure	Phase Sequence	Under Voltage	Over Voltage				
GKR-03	3x380V AC 50/60 Hz	✓	—	—	✓	3 Phase and Neutral	1 Relay 5A / 1250VA (NO+NC)	Diagram1	
GKR-04			—	—	✓				
GKR-05			—	—	✓				✓
GKR-05F			✓	✓	✓				✓
VADR-05			—	—	✓			✓	Diagram2
VADR-05F			✓	✓	✓			✓	